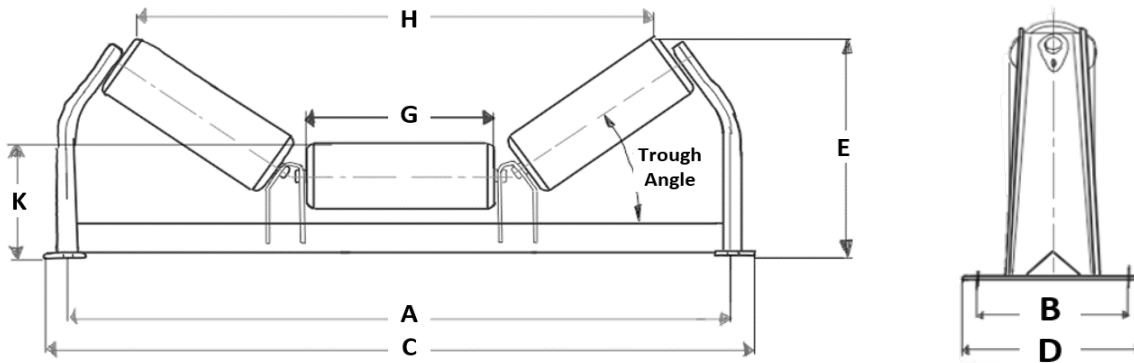


MINE DUTY CEMA C/D EXTRA

EQUAL TROUGHING IDLERS - 6" DIAMETER



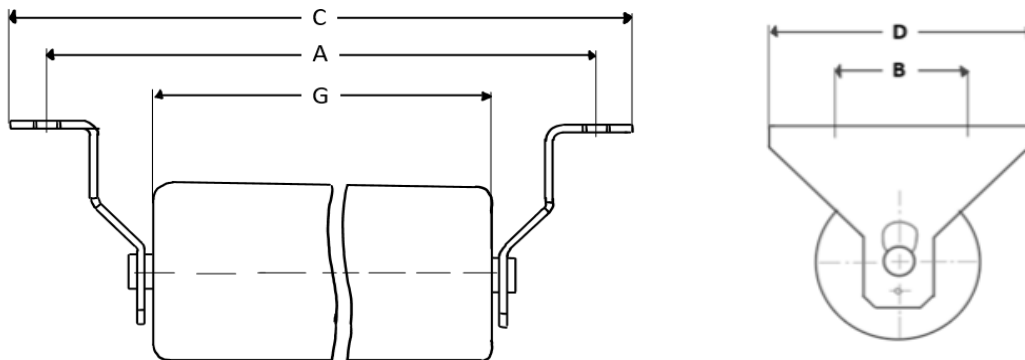
20° Equal Trougher

Belt Width	6" Roll Dia									
	Part Number	A	B	C	D	E	G	H	K	WT
48	620T48MD35DX	57	6	59 1/2	9 1/2	15 1/2	17 1/2	51 11/16	9 1/2	
54	620T54MD35DX	63	6 7/8	65 1/2	11	16 1/2	19 3/4	58 5/16	9 3/4	
60	620T60MD35DX	69	6 7/8	71 1/2	11	17 1/8	21 3/4	63 3/4	9 3/4	

35° Equal Trougher

Belt Width	6" Roll Dia									
	Part Number	A	B	C	D	E	G	H	K	WT
48	635T48MD35DX	57	6	59 1/2	9 1/2	19 7/16	17 1/2	46 1/8	9 1/2	
54	635T54MD35DX	63	6 7/8	65 1/2	11	20 15/16	19 3/4	52 3/8	9 3/4	
60	635T60MD35DX	69	6 7/8	71 1/2	11	21 7/8	21 3/4	57 3/8	9 3/4	

RETURN IDLERS - 6" DIAMETER



Returns - 6" Roll Dia

Belt Width	Part Number	STANDARD DIMENSIONS				E = 4 1/2"		E = 1 1/2"	
		A	B	C	G	D	WT	D	WT
48	600R48MD35X	57	4	59	51 3/8	8		6	
54	600R54MD35X	63	4	65	57 3/8	8		6	
60	600R60MD35X	69	4	71	63 3/8	8		6	

C/D EXTRA